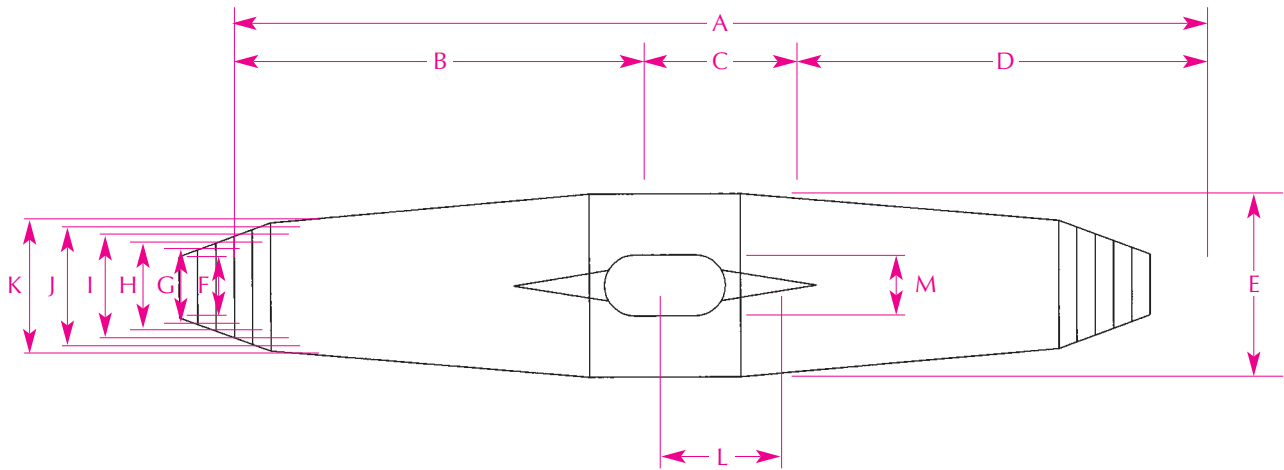


# GLOBAL JOINTING SYSTEMS - STRAIGHT JOINTS



## KEY FOR JOINT DIMENSIONS

ALL DIMENSIONS ARE INTERNAL.  
ALL MEASUREMENTS IN MILLIMETRES.

| Joint | Resin Packs used    | A    | B    | C   | D    | E   | F  | G  | H  | I  | J  | K   | L  | M  |
|-------|---------------------|------|------|-----|------|-----|----|----|----|----|----|-----|----|----|
| S4    | RP0 (1 pack)        | 160  | 67.5 | 25  | 67.5 | 30  | 10 | 12 | 14 | 16 | 19 | 21  | 20 | 10 |
| S10   | RP1 (1 pack)        | 210  | 100  | 50  | 60   | 38  | 10 | 14 | 18 | 22 | 26 | 30  | 30 | 15 |
| S16   | RP2 (1 pack)        | 225  | 83   | 45  | 96   | 48  | 10 | 16 | 20 | 25 | 29 | 33  | 30 | 15 |
| S25   | RP3 (1 pack)        | 310  | 101  | 49  | 160  | 52  | 17 | 21 | 25 | 30 | 31 | 38  | 30 | 15 |
| S50   | RP4 (1 pack)        | 370  | 110  | 60  | 200  | 66  | 20 | 23 | 26 | 30 | 33 | 36  | 40 | 20 |
| S120  | RP5 (1 pack)        | 600  | 154  | 86  | 360  | 79  | 30 | 35 | 38 | 42 | 46 | 49  | 40 | 20 |
| S240  | RP6/RP4 (2/1 packs) | 780  | 225  | 120 | 435  | 125 | 48 | 50 | 58 | 65 | 71 | 79  | 40 | 30 |
| S400  | RP6 (5 packs)       | 1240 | 255  | 300 | 685  | 157 | 55 | 67 | 79 | 91 | 91 | 103 | 60 | 40 |

## KIT SELECTION CHART FOR LV STRAIGHT JOINTS - ARMoured CABLES

| Cable Size (mm) | 1.5 | 2.5 | 4 | 6 | 10 | 16 | 25 | 35 | 50 | 70 | 95 | 120 | 150 | 185 | 240 | 300 | 400 |
|-----------------|-----|-----|---|---|----|----|----|----|----|----|----|-----|-----|-----|-----|-----|-----|
| Kit Number      |     |     |   |   |    |    |    |    |    |    |    |     |     |     |     |     |     |
| S4              |     |     |   |   |    |    |    |    |    |    |    |     |     |     |     |     |     |
| S10             |     |     |   |   |    |    |    |    |    |    |    |     |     |     |     |     |     |
| S16             |     |     |   |   |    |    |    |    |    |    |    |     |     |     |     |     |     |
| S25             |     |     |   |   |    |    |    |    |    |    |    |     |     |     |     |     |     |
| S50             |     |     |   |   |    |    |    |    |    |    |    |     |     |     |     |     |     |
| S120            |     |     |   |   |    |    |    |    |    |    |    |     |     |     |     |     |     |
| S240            |     |     |   |   |    |    |    |    |    |    |    |     |     |     |     |     |     |
| S400            |     |     |   |   |    |    |    |    |    |    |    |     |     |     |     |     |     |

## KIT SELECTION CHART FOR LV STRAIGHT JOINTS - UNARMoured CABLES

| Cable Size (mm) | 1.5 | 2.5 | 4 | 6 | 10 | 16 | 25 | 35 | 50 | 70 | 95 | 120 | 150 | 185 | 240 | 300 | 400 |
|-----------------|-----|-----|---|---|----|----|----|----|----|----|----|-----|-----|-----|-----|-----|-----|
| Kit Number      |     |     |   |   |    |    |    |    |    |    |    |     |     |     |     |     |     |
| S4              |     |     |   |   |    |    |    |    |    |    |    |     |     |     |     |     |     |
| S10             |     |     |   |   |    |    |    |    |    |    |    |     |     |     |     |     |     |
| S16             |     |     |   |   |    |    |    |    |    |    |    |     |     |     |     |     |     |
| S25             |     |     |   |   |    |    |    |    |    |    |    |     |     |     |     |     |     |
| S50             |     |     |   |   |    |    |    |    |    |    |    |     |     |     |     |     |     |
| S120            |     |     |   |   |    |    |    |    |    |    |    |     |     |     |     |     |     |
| S240            |     |     |   |   |    |    |    |    |    |    |    |     |     |     |     |     |     |
| S400            |     |     |   |   |    |    |    |    |    |    |    |     |     |     |     |     |     |

## KIT SELECTION CHART FOR LV CONTROL CABLES

| Kit Number | Cable Size | 2 core | 4 core | 5 core | 7 core | 8 core | 10 core | 11 core | 16 core | 27 core | 30 core | 48 core |
|------------|------------|--------|--------|--------|--------|--------|---------|---------|---------|---------|---------|---------|
| SCC4       | 1.5mm      |        |        |        |        |        |         |         |         |         |         |         |
|            | 2.5mm      |        |        |        |        |        |         |         |         |         |         |         |
| SCC8       | 1.5mm      |        |        |        |        |        |         |         |         |         |         |         |
|            | 2.5mm      |        |        |        |        |        |         |         |         |         |         |         |
| SCC16      | 1.5mm      |        |        |        |        |        |         |         |         |         |         |         |
|            | 2.5mm      |        |        |        |        |        |         |         |         |         |         |         |
| SCC24      | 1.5mm      |        |        |        |        |        |         |         |         |         |         |         |
|            | 2.5mm      |        |        |        |        |        |         |         |         |         |         |         |

## KIT SELECTION CHART FOR MULTIPAIR TELEPHONE CABLES

| Kit Number | Cable Size | 2pair | 5pair | 10pair | 15pair | 25pair | 40pair | 50pair | 100pair |
|------------|------------|-------|-------|--------|--------|--------|--------|--------|---------|
| ST5        | 0.9mm      |       |       |        |        |        |        |        |         |
| ST15       | 0.9mm      |       |       |        |        |        |        |        |         |
| ST25       | 0.9mm      |       |       |        |        |        |        |        |         |
| ST50       | 0.9mm      |       |       |        |        |        |        |        |         |
| S100       | 0.9mm      |       |       |        |        |        |        |        |         |



**Global Jointing Systems**  
A DIVISION OF GLOBAL RESINS

Park Lane Industrial Estate, Corsham, Wiltshire SN13 9LG

Tel: 01249 715566 Fax: 01249 715533

E-mail: [office@globalresins.co.uk](mailto:office@globalresins.co.uk)

[www.globalresins.co.uk](http://www.globalresins.co.uk)

Note: Overlap in cable sizes allows for unarmoured cables. All Dimensions are internal of the finished products.

