

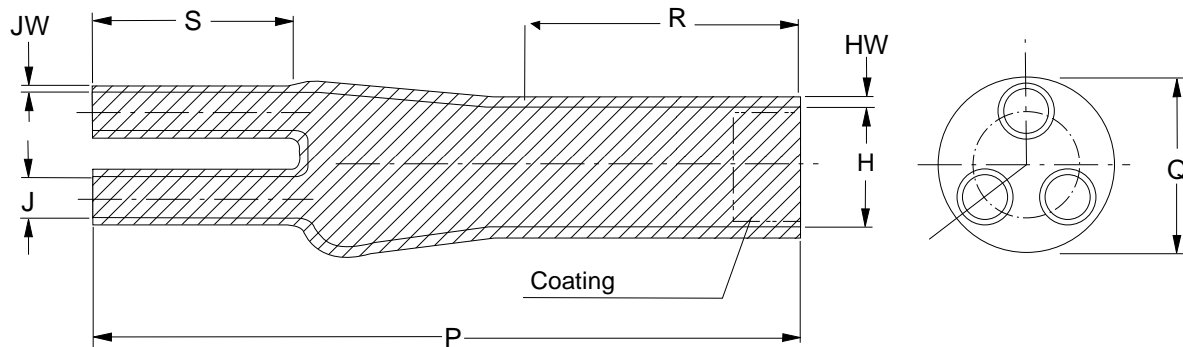
Description:

Material: -18 Semi-rigid Conductive thermoplastic material, weather, corrosion and impact resistant.

Adhesive: /42, /123 - Hot Melt adhesive provides water tight and environmental seal . /89 Track resistant sealant provides water tight and environmental seal. /155 Conducting sealant provides water tight and environmental seal.

Application: MV Terminations.

Colour = Black



Standard Products/dim

Part Number	H		J		P	R	S	HW	JW	Q
	a	b	a	b						
	min	max	min	max						
402R214-18/XX*	45	20	19	9	170	85	40	3.5	2	34
402R225-18/XX	70	30	30	13	175	75	45	3.5	2.5	44
402R236-18/XX	80	35	39	17	190	100	56	4	2.5	54.5
402R248-18/XX	100	45	47	22	205	65	60	4	2.5	64.5

* /XX represents the coating code, U = Uncoated, /42 and /123 = Adhesive, /89 and /155 = Sealant
(Standard coating: /89)

Part No.	Mod. Code	Coating Code	Modification Description
402R214-18	R01	/89	J-outlets coated with /155
	R06	/42	P- dim: 165 mm ±10%, R-dim: 67 mm ±10% H-outlet coated with /42, J-outlets coated with /155
	R07	/42	H- and J-outlets coated with /42
402R225-18	R01	/89	J-outlets coated with /155
	R06	/89	P- dim.: 200 mm ±10%, R-dim.: 100 mm, J-Outlets coated with /155 conducting sealant
	R06	/42	P-dim: 200 mm ±10%, R-dim: 100 mm ±10% H-outlet coated with /42, J-outlets coated with /155
	R07	/89	H and J-outlets coated with /89
	R08	/123	Moulded as R06 (long body) H and J-outlets coated with /42 or /123, coating length H = 50 ± 5 mm, J = 30 ± 5 mm
402R236-18	R01	/89	J-outlets coated with /155
	R03	/89	J-dia: 46 mm min. (expanded), H-outlet coated with /89 sealant, J-outlets

			uncoated
	R06	/89	P- dim.: 230 mm, R-dim.: 100 mm, J-outlets coated with /155
	R06	/42	P-dim: 230 mm $\pm 10\%$, R-dim: 100 mm $\pm 10\%$ H-outlet coated with /42, J-outlets coated with /155
	R07	/89	H- and J-outlets coated with /89
		/42;	
	R08	/123	Moulded as R06 (long body), H- and J-outlets coated with /42 or /123, coating length H = 60 \pm 5 mm, J = 40 \pm 5 mm
402R248-18	R01	/89	J-Outlets coated with /155
	R06	/89	P-dim: 240 mm $\pm 10\%$, R-dim: 100 mm $\pm 10\%$, J-Outlets coated with /155 conducting sealant
	R06	/42	P-dimensions: 240 mm $\pm 10\%$, R-dimensions: 100 mm $\pm 10\%$ H-outlet coated with (/42), J-outlet coated with (/155)
	R07	/89	H-outlet and J-outlets coated with /89
	R07	/42	H-outlet and J-outlets coated with /42
	R07	/123	H-outlet and J-outlets coated with /123
	R08	/123	Moulded as R06 (long body) H and J-outlets coated with /123, coating length H = 60 \pm 5 mm, J = 30 \pm 5 mm

Notes

- Dimensions in millimeters: a = as supplied, b = after free recovery
- Material -18 meets the requirements of PPS 3011/2.
Adhesive /42 meets the requirements of PPS 3012/15.
Sealant /89 meets the requirements of PPS 3012/3.
Adhesive /123 meets the requirements of PPS 3012/62.
Conducting Sealant /155 meets the requirements of PPS 3012/16.
- Coating area approximately as shown in drawing.

Note:

Unless otherwise stated all parts are coated as standard.
Standard coating is /89 on H-outlet for 30 mm.

Printing: Raychem - Product Description - Batch Number.

Packaging: Standard: Packed in a polybag.

Labelling: Quantity, description and batch number