

Waterproof pre-insulated hexagonal compression lugs



Type: **CPTA**

Application

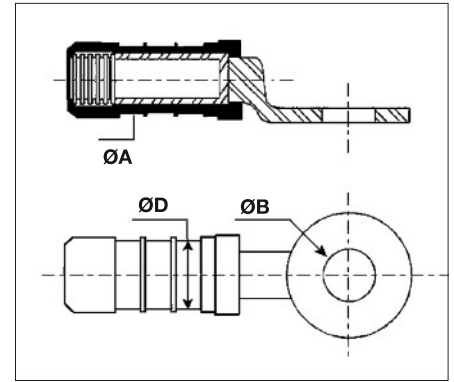
These pre-insulated lugs are suitable for insulated stranded aluminium conductors. Stripped cables are inserted up to the end. Crimping according to the marks with appropriate crimping die size over the insulation. The electrical contact and the sealing by the elastomeric ring are achieved during the crimp process. Available with aluminium palm (CPTA) and as bimetallic lug with a copper palm (CPTAU).



Type: **CPTAU**

Features

- Suitable for stranded aluminium conductors
- Mechanical strength achieved is 50% of cable breaking load
- Tested for water tightness at a voltage of 6 kV for 30 min in a waterbath
- Three die sizes (E140, E173, E215) for all connector sizes (tools and dies see pages 52 and 53)
- Exceeds requirements according to CENELEC prEN 50483-4 class 1, NFC 33021 and ESI 43-14
- A colour code of elastomeric sealing ring allows an easy identification of the cross sections
- Inner aluminium sleeve filled with contact grease
- Insulation material made of weather and UV resistant polymer



Waterproof pre-insulated hexagonal compression lugs

Waterproof compression lugs

Cross section (mm ²)	Ordering description	Colour code	Dimensions (mm)			Crimp die size	Weight (kg/100 pcs)
			ØA	ØB	ØD		
with aluminium palms							
35	CPTA 35	red	8,0	16,0	20	E173	7,0
50	CPTA 50	yellow	9,0	16,0	20	E173	7,0
54	CPTA 54	black	10,0	16,0	20	E173	7,0
70	CPTA 70	white	10,5	16,0	20	E173	7,0
95	CPTA 95 D20	grey	12,2	16,0	20	E173	6,5
150	CPTA 150-21 D20UK	violet	15,5	21,0	20	E173	7,0
with copper palms (bimetallic)							
16	CPTAU 16 D16	blue	5,5	10,5	16	E140	3,5
25	CPTAU 25 D16	orange	6,5	10,5	16	E140	3,0
35	CPTAU 35(trousse)	red	8,0	12,8	20	E173	7,0
50	CPTAU 50	yellow	9,0	12,8	20	E173	7,0
54	CPTAU 54	black	10,0	12,8	20	E173	7,0
70	CPTAU 70	white	10,5	12,8	20	E173	7,0
95	CPTAU 95	grey	12,2	12,8	20	E173	6,5
120	CPTAU 120 D25	pink	14,2	12,8	25	E215	13,0
150	CPTAU 150 D25	violet	15,5	12,8	25	E215	12,5

Bimetallic washers

Ordering description	Dimensions (mm) ØB
RONDELLE 30X10,5X2 -AL/CU	10,5
RONDELLE 30X13X2 -AL/CU	12,8