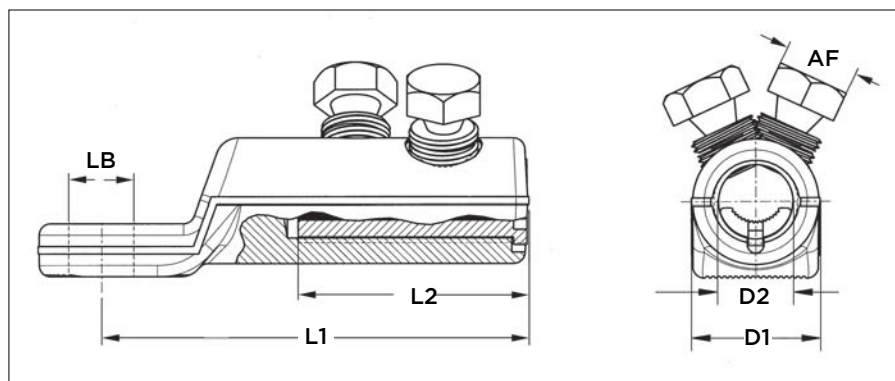


Ordering information - Dimensions - Selection tables

Mechanical lugs



Dimensions

Product reference	Cross-section range (mm ²)	Palm hole diameter (mm)	Dimensions (mm)				Contact bolts	
			LB	L1	L2	D1	D2	Quantity
BLMT-25/95-13	25 - 95	13	60	30	24	12.8	1	13
BLMT-25/95-17	25 - 95	17	60	30	24	12.8	1	13
BLMT-35/150-13	35 - 150	13	86	38	28	15.8	1	17
BLMT-35/150-17	35 - 150	17	86	38	28	15.8	1	17
BLMT-95/240-13	95 - 240	13	112	60	33	20.0	2	19
BLMT-95/240-17	95 - 240	17	112	60	33	20.0	2	19
BLMT-120/300-13	120 - 300	13	115	65	37	24.0	2	22
BLMT-120/300-17	120 - 300	17	115	65	37	24.0	2	22
BLMT-185/400-13	185 - 400	13	137	80	42	25.5	3	22
BLMT-185/400-17	185 - 400	17	137	80	42	25.5	3	22
BLMT-185/400-21	185 - 400	21	137	80	42	25.5	3	22
BLMT-500/630-13	500 - 630	13	150	95	50	33.0	3	27
BLMT-500/630-17	500 - 630	17	150	95	50	33.0	3	27
BLMT-500/630-21	500 - 630	21	150	95	50	33.0	3	27