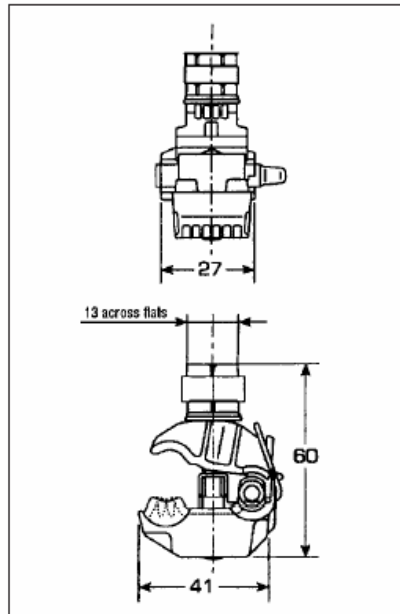


Insulation Piercing Connectors For street lighting applications



Application

For street lighting connection in LV insulated overhead lines and tunnel lighting applications.

Description

- This range of connector is specifically designed for connecting a street lighting conductor from a LV ABC to a lamp wire.
- These connectors are made of :
 - 2 bodies in anti UV black resistant thermoplastic fibre glass reinforced
 - 2 connecting blades in tinned copper
 - 1 dachromatized steel bolt M6 equipped with a metallic shear head nut of 10mm in standard version or 13mm if requested . The nominal torque is 7 Nm.
 - 1 flexible fixed end cap that allows to insert small lamp wires.
 - Seal compound to improve the water resistance integrity.

Features

- These connectors withstand the tests described in the French standard NFC 33020
- Resistant to 6kV 1 minute after 30 minutes immersion in water
- All components are secured
- The metallic shear head is designed to allow a reliable installation process thanks to its design
- The flexible end cap is a tube which guide the small wire
- The low applied torque allows an easy installation by the linemen and avoid damaging the cable

Notes : Insulation Piercing Connectors can be removed but not re-used.

Designation	P/N	RPN	Cross section in mm ²		Max Current	Weight	Standard Packaging
			Main	Tap			
EP95	0-1727912-1	C58826-000	16-95	1.5-10	63	48	50
EP95-13	0-1727912-3	D12469-000	16-95	1.5-10	63	50	50
EP95-13 (12)	0-1727912-5	F52830-000	16-95	1.5-10	63	50	12
EP35	0-1727912-2	D56806-000	2.5-35	1.5-6	63	48	50
EP35-13	0-1727912-4	E84478-000	2.5-35	1.5-6	63	50	50
KZEP CES*	0-1018563-2	585256-000	16-70	1.5-6	63	48	12

* CES = EDF marking

<http://energy.tycoelectronics.com>

All of the above information, including drawings, illustrations and graphic designs, reflects our present understanding and is to the best of our knowledge and belief correct and reliable. Users, however, should independently evaluate the suitability of each product for the desired application. Under no circumstances does this constitute an assurance of any particular quality or performance. Such an assurance is only provided in the context of our product specifications or explicit contractual arrangements. Our liability for these products is set forth in our standard terms and conditions of sale.

ALR, AMP, AXICOM, B&H, Bowthorpe EMP, Critchley, Dorman Smith, Dulmison, Hellstern, La Prairie, Morlynn, Raychem, SIMEL and SUCOFIT are trademarks.